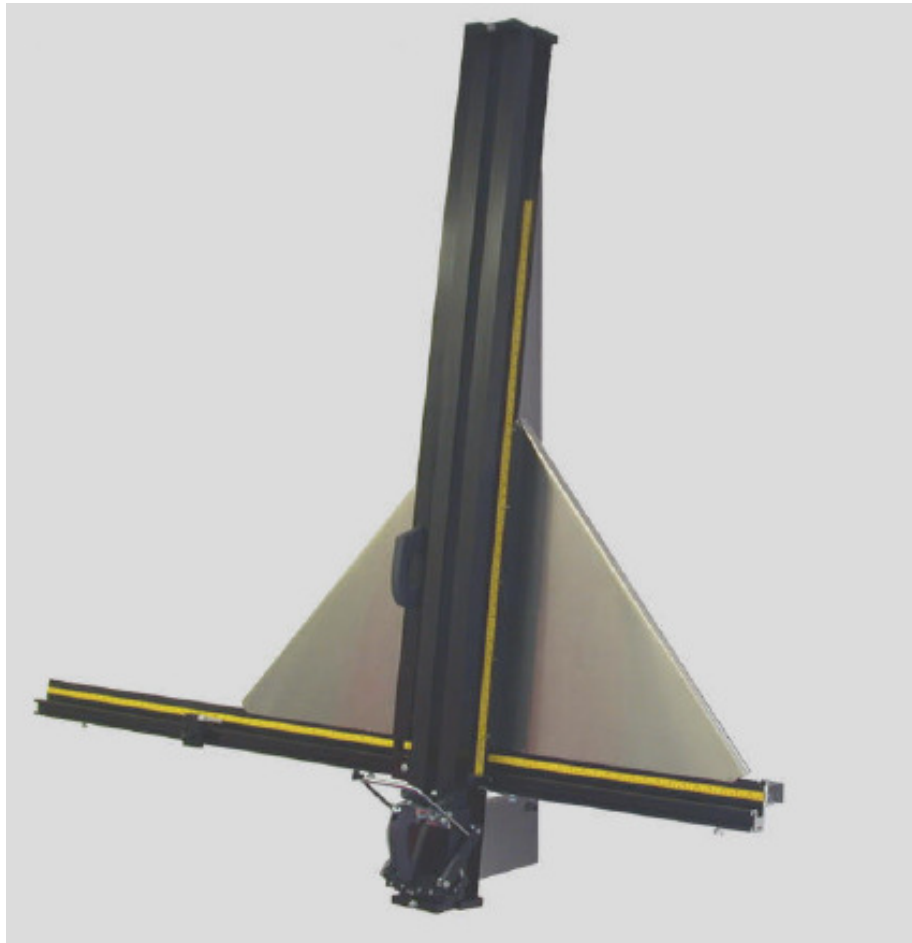


Onyx 90 Media Cutter

Parts Manual



*Professional Picture Frame Equipment
441 South Whitted Street
Hendersonville, NC 28739*

Vol. 814

The World's Best Media Cutter

Onyx 90 Media Cutter

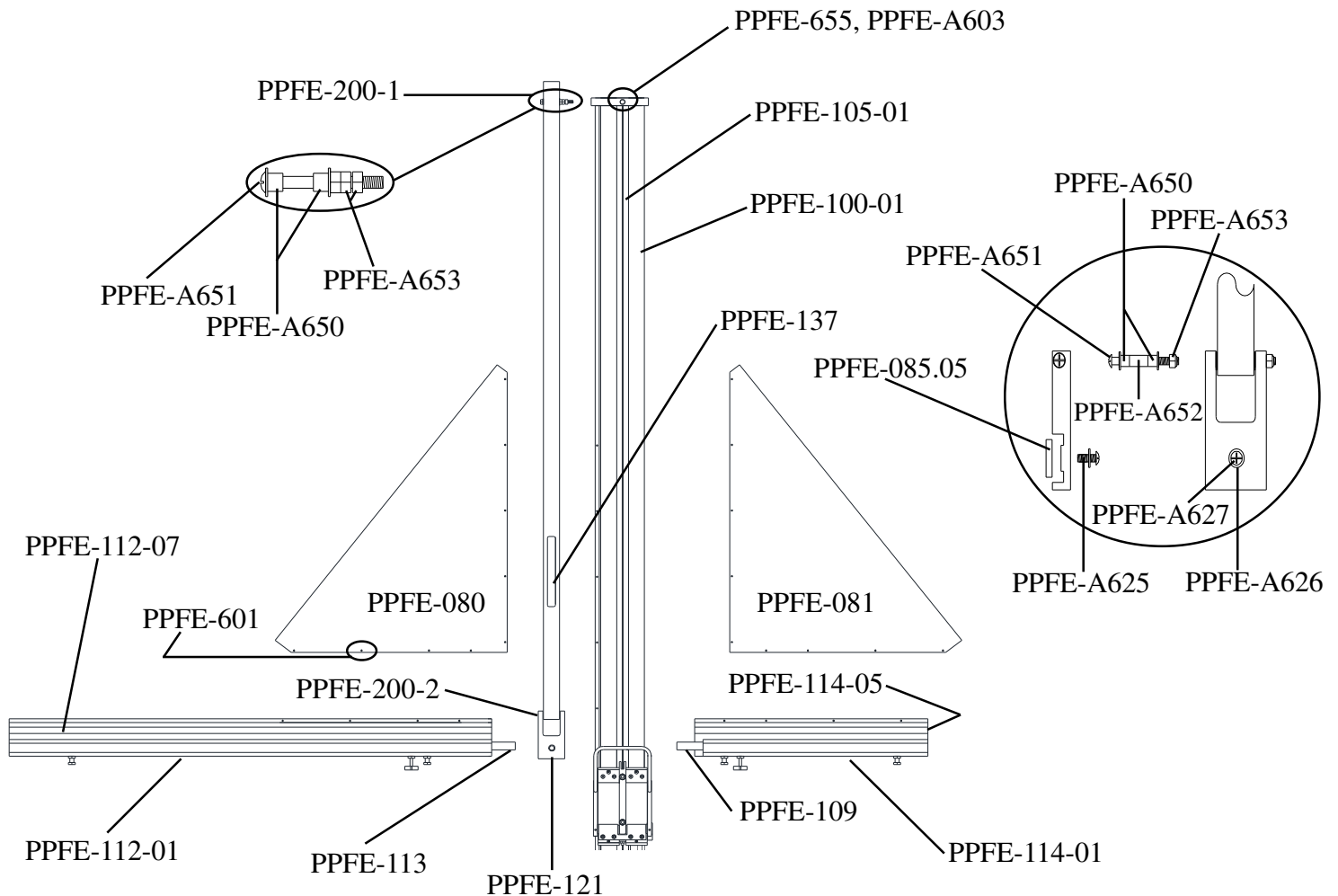
Thank you for purchasing
the Onyx 90
Media Cutter.

**Please read all instructions before
operating your new machine.**

*The following parts manual gives you a complete
breakdown of all replaceable parts for the Onyx 90*

*To order a part for your Onyx 90 please review
this manual, make note of the listed page and part
number and call our Office at 800-334-9060 to talk
with a Sales associate who will gladly assist
you with placing your order.*

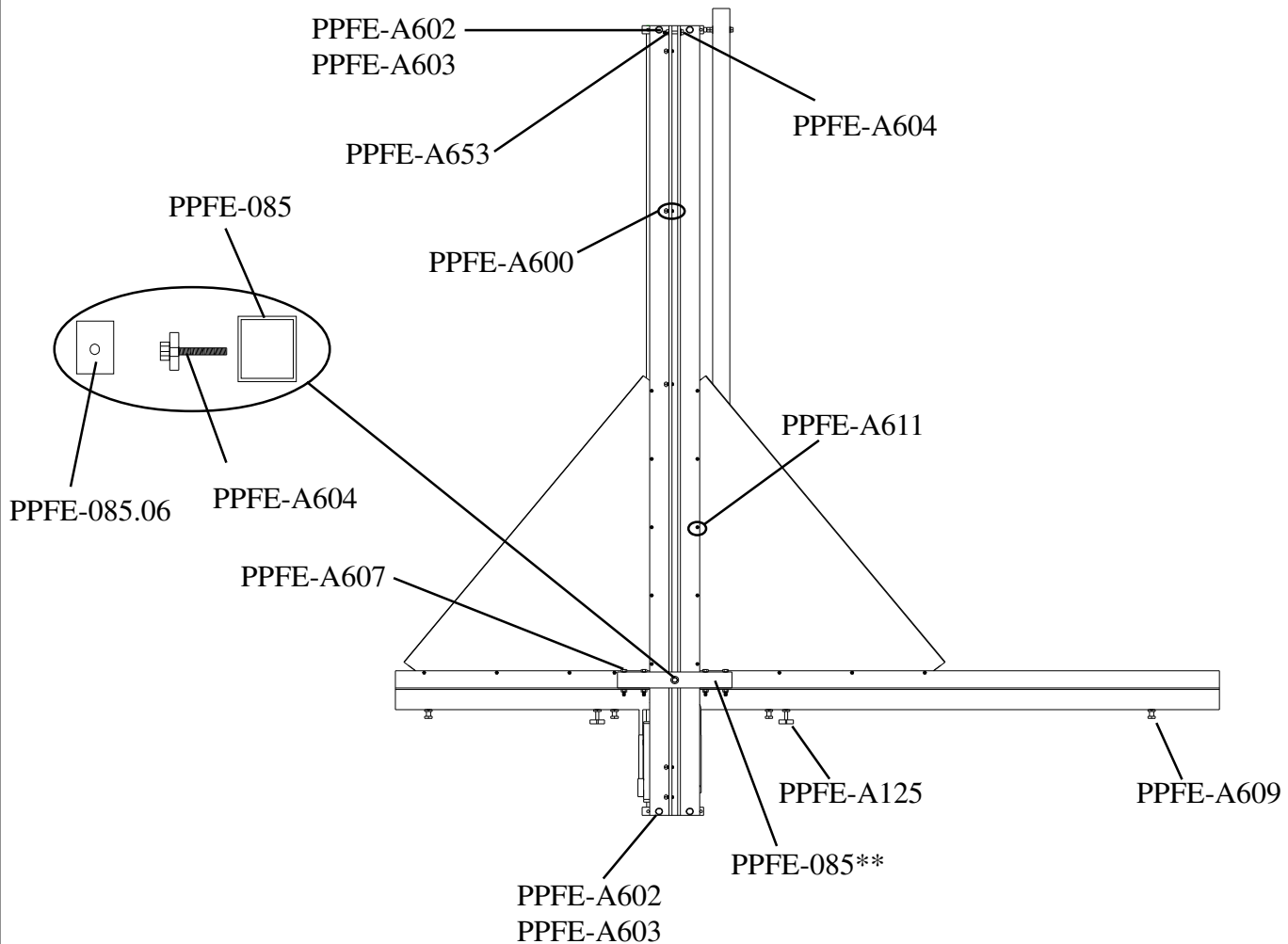
Onyx 90 Media Cutter



Front Main View		
PART #	DESCRIPTION	QTY
PPFE-080	Left Stainless Steel Gusset	1
PPFE-081	Right Stainless Steel Gusset	1
PPFE-085.05	T-Nut	1
PPFE-100-1	Vertical Extrusion	1
PPFE-105-01	Vert. L-R Measuring Scale	1
PPFE-109	Right Side Cutting Bed	1
PPFE-112-01	Horizontal Extrusion - Left	1
PPFE-112-07	Horiz. R-L Measuring Scale 48"	1
PPFE-113	Left Side Cutting Bed	1
PPFE-114-01	Horizontal Extrusion - Right	1
PPFE-114-05	Horiz. L-R Measuring Scale 48"	1
PPFE-121	Lower Media Clamp Bracket	1
PPFE-137	Media Clamp Handle	1

Front Main View		
PART #	DESCRIPTION	QTY
PPFE-200-1	Top Media Clamp Assembly	1
PPFE-200-2	Lower Media Clamp Assembly	1
PPFE-601	4/40 x 3/8" Hex Machine Screw	18
PPFE-A603	7/8" Flat Washer	2
PPFE-A625	1/4" Flat Washer	1
PPFE-A626	1/4" Star Washer	1
PPFE-A627	1/4"-20 x 3/4" CRMS Fast.	1
PPFE-A650	1/4" x 3/8" Brz Flanged Bearing	4
PPFE-A651	1/4"-20 x 2 3/4" CRMS Fast.	2
PPFE-A652	3/8" Vinyl Tubing	1
PPFE-A653	1/4"-20 Nylock Nut	3
PPFE-A655	5/16"-18 x 2 3/4" Hex Cap Bolt	2

Onyx 90 Media Cutter



Rear Main View

PART #	DESCRIPTION	QTY
PPFE-085	Horizontal Tube Mounting Bracket	1
PPFE-085.06	T-Nut Washer	1
PPFE-A125	Star Shaped Knob	2
PPFE-A600	CRMS Fastener 1/4-20 x 1"	5
PPFE-A602	Bearing Tube Fasteners 5/16-18 x 3/4"	4
PPFE-A603	7/8" Flat Washer	4
PPFE-A604	Hex Cap Bolt 1/4-20 x 1 1/2"	1
PPFE-A607	Extrusion Attaching Bolts 1/4-20 x 2"	4
PPFE-A611	4/40 Nylock Nut	18
PPFE-A653	1/4-20 Nylock Nut	1

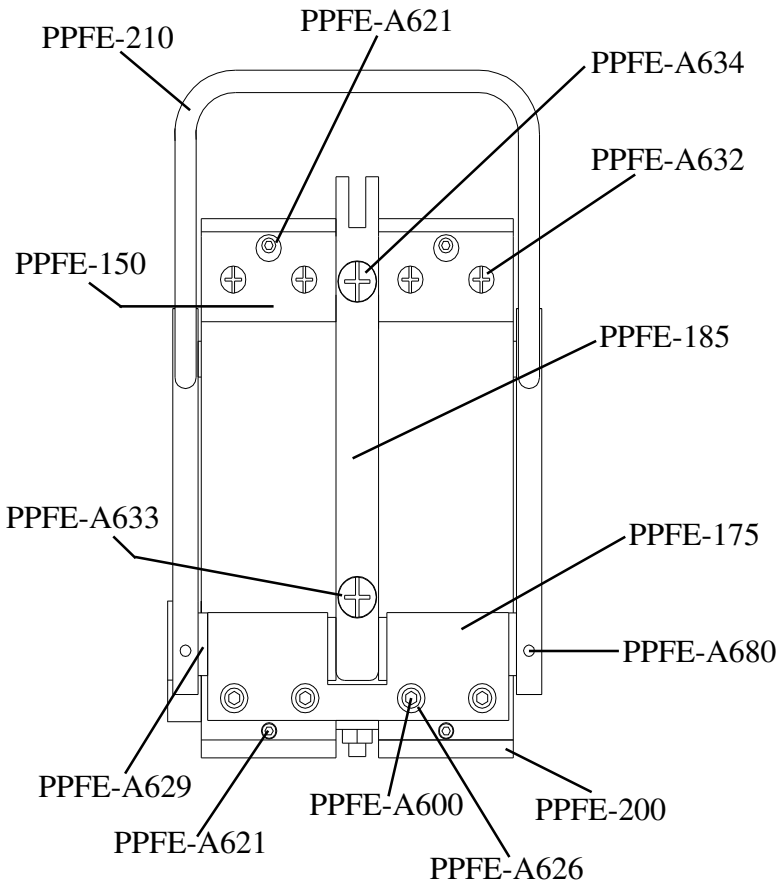
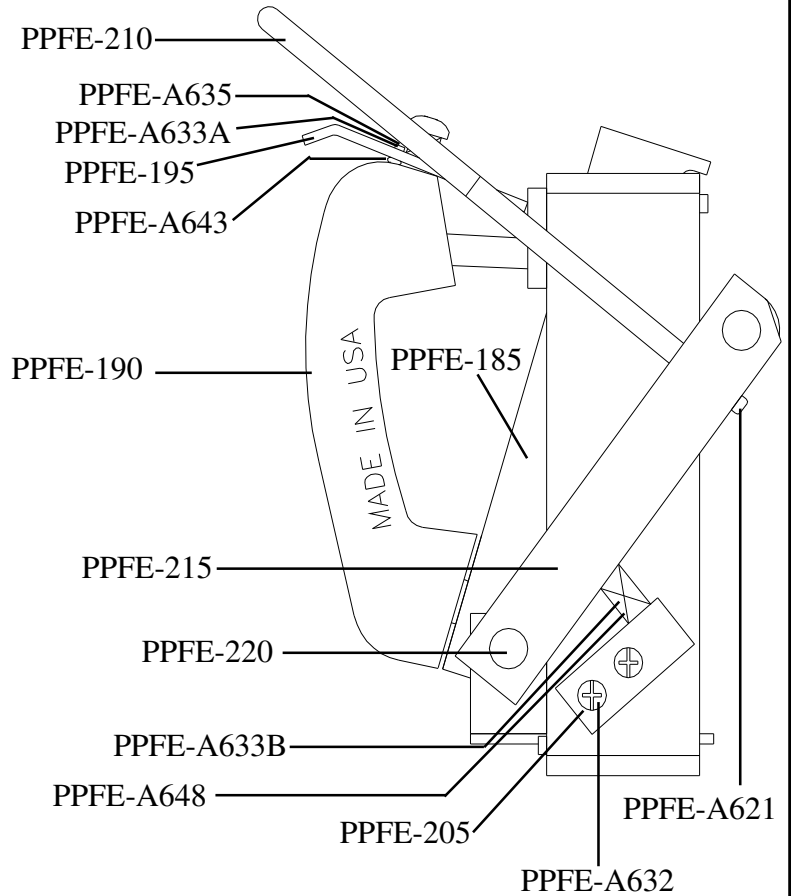
** For machines with serial numbers 100107 to 113707 the horizontal tube mounting bracket (PPFE-085) is above the ridge line of the horizontal extrusion.

For machines with serial numbers 113807 and above the horizontal tube mounting bracket (PPFE-085) is below the ridge line of the horizontal extrusion. **

Onyx 90 Media Cutter

Cart Assembly - Side View

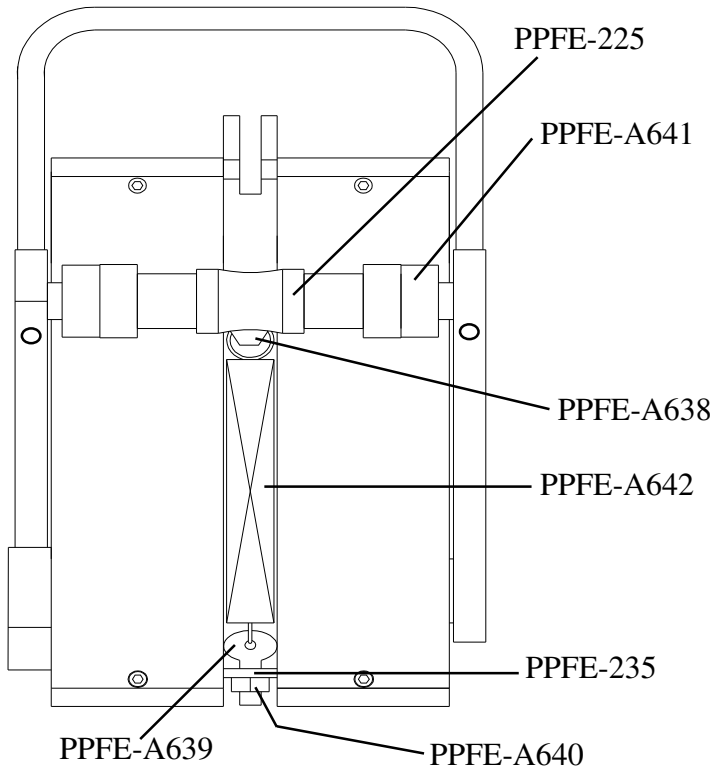
PART #	DESCRIPTION	QTY
PPFE-185	Main Pivot Block	1
PPFE-190	Cart Handle	1
PPFE-195	Stop Finger	1
PPFE-205	Acrylic Spring Retainer	1
PPFE-210	Acrylic Cracker Handle	1
PPFE-215	Acrylic Roller Lever	1
PPFE-220	Acrylic Lever Axial	2
PPFE-A621	Easy Drive Screw Nail	14
PPFE-A632	CRMS Fastener 1/4"-20 x 1/2"	4
PPFE-A633A	Roll Pin 5/32" x 5/8"	1
PPFE-A633B	Roll Pin	1
PPFE-A635	Compression Spring 1/2"	1
PPFE-A643	O-Ring 1/4" x 3/8"	1
PPFE-A648	Compression Spring 1 1/2"	1



Cart Assembly - Front View

PART #	DESCRIPTION	QTY
PPFE-150	Steel Stop Plate	1
PPFE-175	Pivot Block Housing	1
PPFE-185	Main Pivot Block	1
PPFE-200	Cart Bearing	4
PPFE-210	Acrylic Cracker Handle	1
PPFE-A600	CRMS Screw 1/4"-20 x 1"	4
PPFE-A621	Easy Drive Screw Nail	14
PPFE-A626	1/4" Star Washer	4
PPFE-A629	Bronze Flange Bearing	4
PPFE-A632	CRMS Screw 1/4"-20 x 1/2"	4
PPFE-A633	CRMS Screw 3/8"-16 x 1 1/2"	1
PPFE-A634	CRMS Screw 3/8"-16 x 3"	1
PPFE-A680	Pan Head Screw 8-32 x 3/8"	2

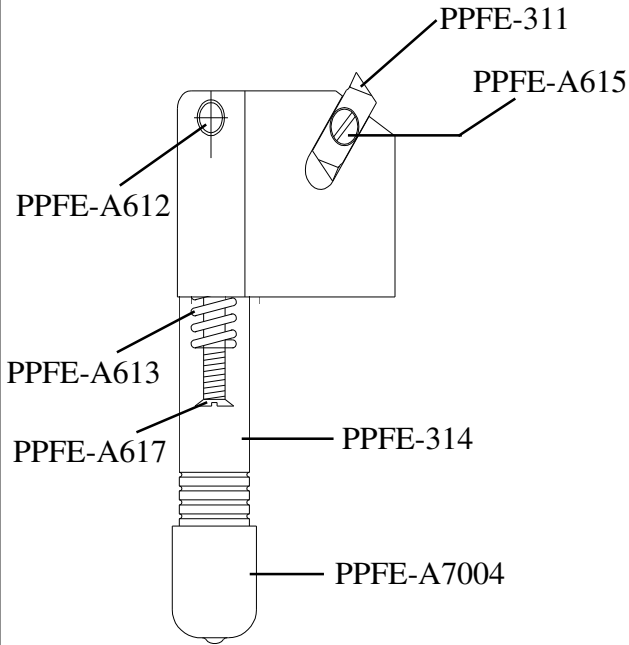
Onyx 90 Media Cutter



Cart Assembly - Rear View

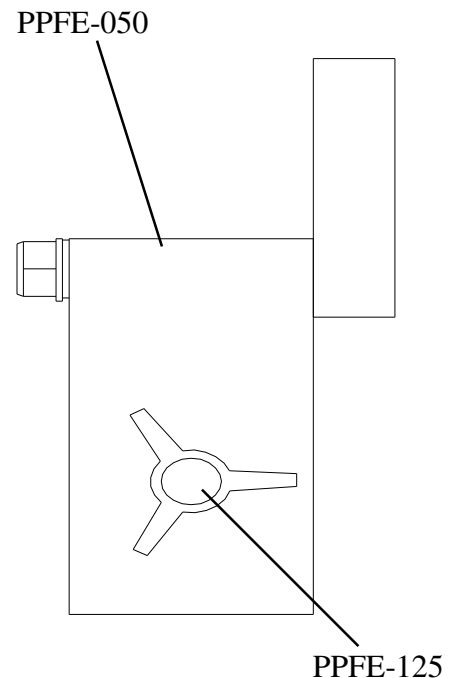
PART #	DESCRIPTION	QTY
PPFE-225	Acrylic Roller	1
PPFE-235	Spring Anchor Bracket	1
PPFE-A621	Easy Drive Screw Nail	12
PPFE-A638	Slotted Pan Head Screw 1/4-20 x 1"	1
PPFE-A639	Spade Head Thumb Screw	1
PPFE-A640	Nylock Nut	1
PPFE-A641	Shaft Lock Collar	2
PPFE-A642	Extension Spring 2-1/2"	1
PPFE-A648	Compression Spring 1-1/2"	1
PPFE-A653	Nylock Nut 1/4"-20	2

Onyx 90 Media Cutter



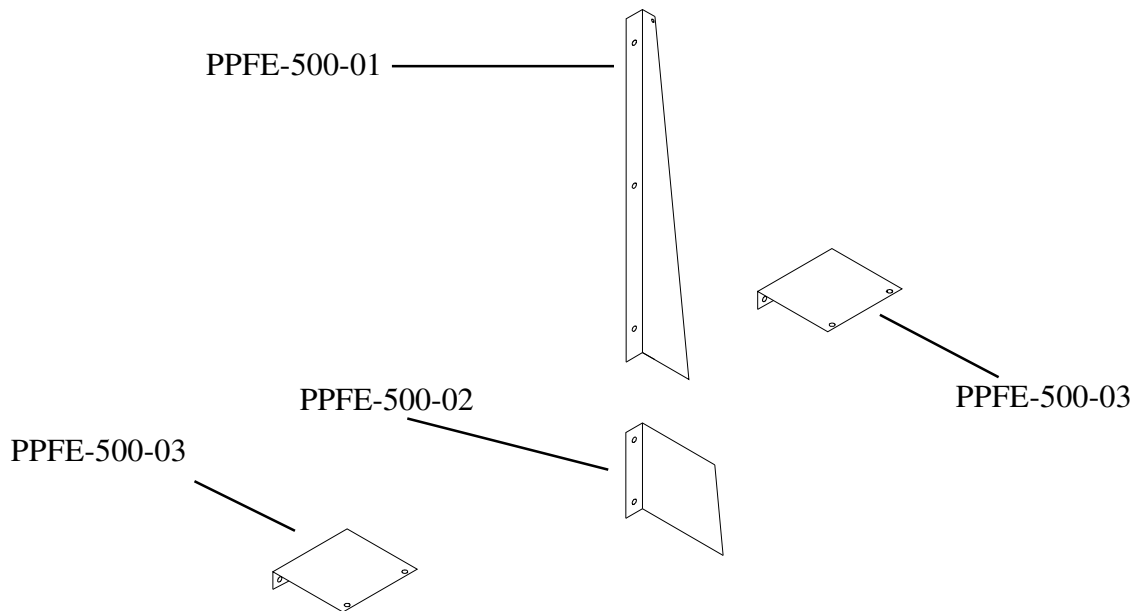
Acrylic Cutting Tool Holder - PPFE-310 (Carbide Cutter sold separately)		
PART #	DESCRIPTION	QTY
PPFE-311	Double Ended Carbide Cutter	1
PPFE-314	Tool Holder Handle	1
PPFE-A612	Steel Slotted Spring Pin	1
PPFE-A613	Compression Spring (Inside Handle)	1
PPFE-A615	Blade Set Screw	1
PPFE-A617	Flat Head Screw (Inside Handle)	1
PPFE-A7004	Plastic Cap - Blue	1

Production Stop		
PART #	DESCRIPTION	QTY
PPFE-050	Production Stop Assembly	1
PPFE-125	Star Shaped Knob	1



Onyx 90 Media Cutter

Mounting Brackets		
PART #	DESCRIPTION	QTY
PPFE-500-01	Top Mounting Bracket	1
PPFE-500-02	Bottom Mounting Bracket	1
PPFE-500-03	Left/Right Mounting Bracket	2
PPFE-637	Wall Mounting Hardware Bag	1



Onyx 90 Media Cutter

Boxes Included with Onyx 90 Machine

Hardware Box (4 parts bags included in each box)		
PART #	DESCRIPTION	QTY
PPFE-A637	Wall Mounting Hardware Box (Complete)	1
PPFE-A665	#10 x 1" Pan Head Screw - Bag #1	10
PPFE-A664	Screw Anchors - Bag #1	10
PPFE-A663	13/32" Flat Washer - Bag #1	10
PPFE-A632	1/4-20 x 1/2" CRMS Fastener - Bag #2	4
PPFE-A607	1/4-20 x 2" CRMS Fastener - Bag #2	4
PPFE-A625	1/4" Flat Washer - Bag #2	8
PPFE-A653	1/4-20 Nylock Nut - Bag #2	8
PPFE-A601	4/40 x 3/8" Machine Screw - Bag #3	20
PPFE-A611	4/40 Nylock Nut - Bag #3	20
PPFE-A602	5/16-18 x 3/4" Hex Cap Screw - Bag #4	4
PPFE-A603	5/16-18 Flat Washer - Bag #4	4

Tooling Package Box		
PART #	DESCRIPTION	QTY
PPFE-302	Glass Cutting Tool Holder	1
PPFE-305-2	Mat Cutting Tool Holder	1
PPFE-310	Acrylic Cutting Tool Holder	1
PPFE-A662	1/4" Allen Wrench for Mat Cutter	1
PRO-42592	Spare Blade for Mat Cutting Tool	10 blades